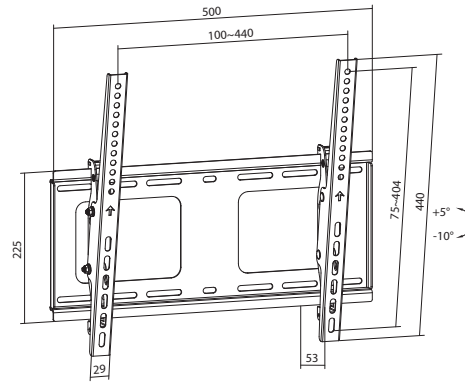


Heavy Duty Tilting TV Wall Mount

For most 32" ~ 55" Flat Panel & Curved TV's & Monitors

LMMT3255



Dimensions (mm)

DESCRIPTION:

Heavy Duty, tilting wall mount is constructed of high gauge steel and designed for most 32"-55" flat panel and curved TVs up-to 80kg/176lbs. This mount allows your TV to be tilted up-to 10° for optimum viewing without the need for tools. Designed to be both sturdy and easy to install.

FEATURES:

- ◆ Heavy Duty Steel Construction
- ◆ Fits most 32" ~ 55" Flat & Curved TVs
- ◆ Supports up to 176lbs
- ◆ Up to 10° Tilting Angle
- ◆ VESA 200x200,400x200,300x300,400x400
- ◆ UL Listed

INCLUDED ACCESSORIES:

- 1x wall mount plate, 2x monitor bracket
- 4x each M6x14, M8x16, M6x30, M8x35 screws
- 4x each D8 washers, 5mm & 15mm spacers
- 4x mounting screws, grommets, washers

SPECIFICATION	LMMT3255
Screen Size:	32" ~ 55"
Fits Curved TV:	Yes
Material:	Steel
Weight Capacity:	80kg (176lbs)
Strength Tested:	4 Times Approved
Mounting Hole Pattern:	VESA & Universal
VESA Compatible:	200x200,400x200,300x300,400x400
Max. Mounting Hole:	400x400
Free Tilting	Yes
Tilt Range:	+5° ~ -10°
Installation:	Solid Wall, Double Stud 406mm (16")
Panel Type:	Detachable Panel
Wall Plate Type:	Fixed Wall Plate
Cable Management:	No
Accessory Kit Package:	Compartment Polybag
Instruction Manual Included:	Yes
Profile:	53mm (2.1")
Metal Sheet Thickness:	Bracket Arm THK=1.5mm (0.059") Wall Plate THK=2mm (0.079")
Color:	Fine Texture Black
Surface Finish:	Powder Coating
Dimensions:	500x225x53mm (19.7"x8.9"x2.1")
Net Weight	2.73kg (6.01lb)
Certification:	UL