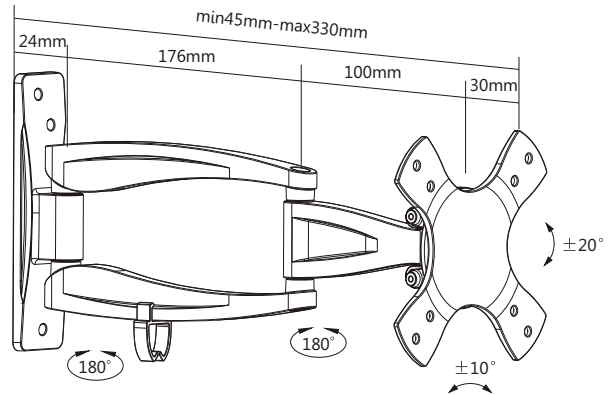




DESCRIPTION:

Full motion, articulating wall mount is designed for most 13"~27" flat panel TVs up-to 15kg/33lbs. This mount allows your TV to be tilted and swiveled for glare control and optimum viewing angle. Compact design is only 45mm when fully retracted and can be extended from the wall up-to 330mm. The preassembled arm comes complete with cable management and the single stud design makes installation easy.



Dimensions (mm)

FEATURES:

- ◆ Fits most 13" ~ 27" Flat Panel TVs
- ◆ Supports up to 33lbs
- ◆ Fully Articulating Arm
- ◆ Single Stud Design
- ◆ VESA 75x75,100x100
- ◆ UL Listed

INCLUDED ACCESSORIES:

- 1x allen wrench
- 4x M4x14 & 4x M5x14 screws
- 4x D5 washers
- 3x mounting screws with grommets

SPECIFICATION	LMMA1327
Screen Size:	13" ~ 27"
Material:	Aluminum
Weight Capacity:	15kg (33lbs)
Strength Tested:	4 Times Approved
Mounting Hole Pattern:	VESA Only
VESA Compatible:	75x75,100x100
Max. Mounting Hole:	100x100
Free Tilting	Yes
Tilt Range:	+20° ~ -20°
Swivel Range:	+90° ~ -90°
Screen Level:	+10° ~ -10°
Installation:	Solid Wall, Single Stud
Panel Type:	Detachable Panel
Wall Plate Type:	Fixed Wall Plate
Cable Management:	Yes
Accessory Kit Package:	Normal/Ziplock Polybag, Compartment Polybag
Instruction Manual Included:	Yes
Profile:	45 ~ 330mm (1.8" ~ 13")
Color:	Fine Texture Black
Surface Finish:	Powder Coating
Dimensions:	160x132x330mm (6.3"x5.2"x13")
Net Weight	0.86kg (1.9lb)
Certification:	UL