

Z100HDE Technical Specifications

Economy High Speed HDMI® with Ethernet Cable Solutions

Rev. 150602

The Z100HDE series HDMI® cables are designed for minimal cost while delivering expected High Speed HDMI® with Ethernet performance. These cables utilize public mold designs to take advantage of volume runs and are supplied with gold flash plated connector shrouds. The internal connector pins are gold plated for consistent connectivity and tarnish resistance. The connectors are standard HDMI rated for 4 lbs. of retention force.

The bulk cable is 7.3mm in diameter and features 28 AWG conductors on the 5 high speed TMDS pairs. The larger conductors ensure performance and reduce voltage loss. The Z100HDE series is available in five standard lengths often used for equipment hookup. Z100HDE cables are not directional, they are passive cables without embedded chipsets. The 25 foot version features CL2 ratings for NEC® Concealed locations (in-wall).

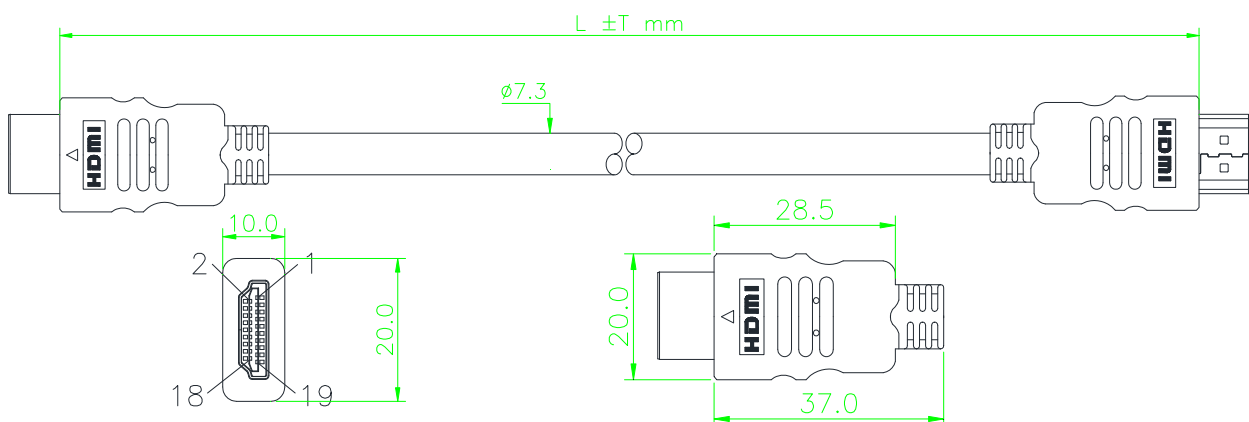
The Z100HDE series is designed for non-concealed installations, these cables are not to be installed in wall. Per the NEC® AWM rated cables can be run in conduit. The 25 foot cable has CL2 ratings and is permitted in wall. These products feature a UL listed bulk cable with an AWM rating for fire safety. The cable has passed the VW-1 flame test. The 25' bulk cable has passed UL1685 Vertical Tray flame testing.

Key Features:

- Economical Construction
- High speed HDMI® with Ethernet
- Volume discounts
- Convenient lengths
- Very flexible cable
- AWM rated for safety

Key Applications:

- Rack Patching
- Intra device internal cabling
- Short device to device hookups
- Installations with movement



| Technical Specifications | |
|---|---|
| I/O Connections | |
| HDMI | Male HDMI Type A connector |
| HDMI Supported Video, Audio and Ethernet | |
| HDMI Maximum Video Compatibility | 4Kx2K up to 15 feet, 1080p60 Deep Color up to 25 feet |
| Video Compliance | HDMI, HDCP, and CEC (Consumer Electronics Control) |
| HDMI Audio | Up to 32 audio channels, up to 1536KHz sampling |
| Maximum Bandwidth | 10.2Gbps up to 15 feet, 6.75 Gbps up to 25 feet |
| Ethernet | 100 Mbps |
| Cable Construction | |
| HDMI Connector Features | HDMI "A" Male, Gold plated shroud and gold plated pins |
| HDMI Molded Hood Construction | Copper Foil Shielded Pre-mold with PVC over mold. Over mold is black in color. |
| HDMI Molded Hood Dimensions | 20.0x28.5x10.5mm with an 8.5mm strain relief |
| Jacket Material | Flame rated PVC with a black finish |
| Cable Construction | 28 AWG Tinned Copper TMDS pairs |
| Overall Cable Size | 0.287" 7.30mm |
| Minimum Bend Radius | 2.87" 73mm |
| Maximum Tensile Load | 50Lbs 22Kg |
| Available Cable Lengths | 3, 6, 10, 15, and 25 feet |
| Environmental Requirements | |
| Operating Temperature | 0° to +80° C (+32° to +176° F) |
| Operating Humidity | 20% to 85%, Non-condensing |
| Storage Temperature | -20° to +80° C (0° to +176° F) |
| Power and Regulatory | |
| Regulatory | UL AWM 20276 80°C, CSA AWM I/II A/B 80°C, EU RoHS-2 2011/65/EU Compliant Additionally the 25' cable is NEC® CL2 75°C |

Liberty Wire & Cable specifications are subject to change without notice. Contact an account representative for current product specifications. Liberty Wire & Cable continuously strives to ensure product specifications are accurate and complete. All physical specifications are nominal.

| Part Numbers | Part Description | Cable Length |
|--------------|---------------------------------|-----------------------|
| Z100HDE03FT | HDMI CBL HS W/NET AWM 3' BLACK | 0.915 meters 3 feet |
| Z100HDE06FT | HDMI CBL HS W/NET AWM 6' BLACK | 1.83 meters 6 feet |
| Z100HDE10FT | HDMI CBL HS W/NET AWM 10' BLACK | 3.05 meters 10 feet |
| Z100HDE15FT | HDMI CBL HS W/NET AWM 15' BLACK | 4.57 meters 15 feet |
| Z100HDE25FT | HDMI CBL HS W/NET CL2 25' BLACK | 7.62 meters 25 feet |

National Electric Code® is a registered trademark of the National Fire Protection Agency (NFPA)

NEC® is a registered trademark of the National Fire Protection Agency (NFPA)

HDMI® is a registered trademark of HDMI, LLC

High Definition Multimedia Interface® is a registered trademark of HDMI, LLC