



USB 3.0 PTZ Camera
(DL-USB-PTZ20)



Multi-Format Table Box
(DL-SC41UP-BXTX)



USB Microphone
(DL-USB-360MIC)

**TEAMING UP WITH YOU
IN COLLABORATION
TECHNOLOGY**

DESIGNED FOR FLEXIBILITY

Our products offer you the best of both BYOD and BYOM.
Plan your next design with us.



TeamUp+ is a series of USB-focused products designed to better facilitate group work, both in the office and remote.

BYOD — BRING YOUR OWN DEVICE

In a space equipped for BYOD, a user can **share their content on a display** by connecting their device to the room system.

BYOM — BRING YOUR OWN MEETING

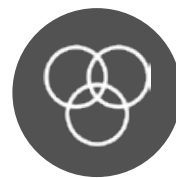
In a space equipped for BYOM, a user can host or join a **video conferencing meeting** by connecting their device to the room system.

DESKTOP APP

A video conferencing app installed on desktops & mobile devices for connecting with others virtually, face to face in both business & personal settings.



TeamUp +



Any Software

Professional Hardware

Larger Meetings, Same Vendor



ROOM SYSTEM

Video conferencing software that runs on a PC paired with a tablet, enabling the space to become a fully functional video conferencing space.

How does one achieve the best of both worlds?

Our "All-In-One" solutions take away the guesswork and simplify the meeting experience.

- 1 HARMONY**
Brings ALL your devices together into one, convenient device
- 2 BRING YOUR OWN MEETING**
Let the user decide their favorite.
- 3 SINGLE CONNECTION POINT**
Take over the room system simply by plugging in.
- 4 CONTACTLESS MEETINGS**
Touchless and seamless — Control the technology space by offering a safe, productive, and positive experience.
- 5 PROFESSIONAL-QUALITY**
The presentation of your content is as important as the content itself.
- 6 INTEROPERABILITY**
Collaborate without limits using any video conferencing software with today's USB cameras and microphones.
- 7 FROM THE DESK TO THE ROOM**
Offer familiarity where technology makes work life easier.
- 8 MULTI-PLATFORM. MULTI-USE**
Evolve beyond the hardware.

COMPARISON TABLE

TeamUp+ Collaboration Switchers



Model	DL-SCU21C	DL-SCU33-SW	DL-SCU31U-BX	DL-SC41U-TX	DL-SC41UP-BXTX	DL-SCU-RX
Input x Output	3x1	3x3	3x1	4x1 **5x1+1	4x1 **5x1+1	2x1
Table Cubby Enclosure			●		●	
Supported Resolution	4K60 4:4:4	4K60 4:4:4	4K60 4:4:4	4K60 4:4:4	4K60 4:4:4	4K60 4:4:4
USB 3.0 Client Ports*	2	4	4	2	4	
USB 2.0 Client Ports						2
USB 3.0 Host Ports	2	2	3	3	3	
USB Convenient Charging Port		●	●	●	●	
USB-C One Cable solution***	●	●	●	●	●	●
HDMI Specification	2.0b	2.0 b	2.0 b	2.0 b	2.0 b	2.0 b
HDCP	2.2	2.2	2.2	2.2	2.2	2.2
HDR	●	●	●	●	●	●
Power Over Cable (PoC)				●	●	●
Bandwidth	18G	18G	18G	18G	18G	18G
RS-232	●		●	●	●	●
IP Control		●	●	●	●	
HDBaseT Output				●	●	
HDBaseT Input						●
EDID Management	●	●	●	●	●	
Control Methods	Front Panel Push Buttons, CEC, RS-232	Front Panel, CEC, RS-232, TCP/IP, Contact Closure Digital I/O	Front Panel Push Buttons, CEC, RS-232, TCP/IP	Front Panel Push Buttons, CEC, RS-232, TCP/IP	Front Panel Push Buttons, CEC, RS-232, TCP/IP	CEC, RS-232
Audio Extraction	●	●				●
Dual Video Output		●		📄 ●	📄 ●	

*USB 3.0 is backwards-compatible with USB 2.0 and USB 1.

** When using Receiver DL-SCU-RX.

📄 Mirrored Video Output

*** One-cable solution provides you access to DisplayPort alternate Mode for sharing up to 4k content to the display(s), USB peripherals (think camera, microphone) and USB-PD for charging your device.



Key Features

CONTROL

- Manual control via front panel buttons
- RS232 connection for third-party integration
- Integrate CEC & RS-232 commands for display control (ON, OFF, MUTE, VOL+,VOL-)

USB

- USB-C supports ALT-DP video, data, and power
- USB-C charging port up to 40 watts
- 2x2 auto switching via USB 3.0/2.0 hub

AUDIO

- Balanced analog audio for audio-de-embedding
- Dolby Vision

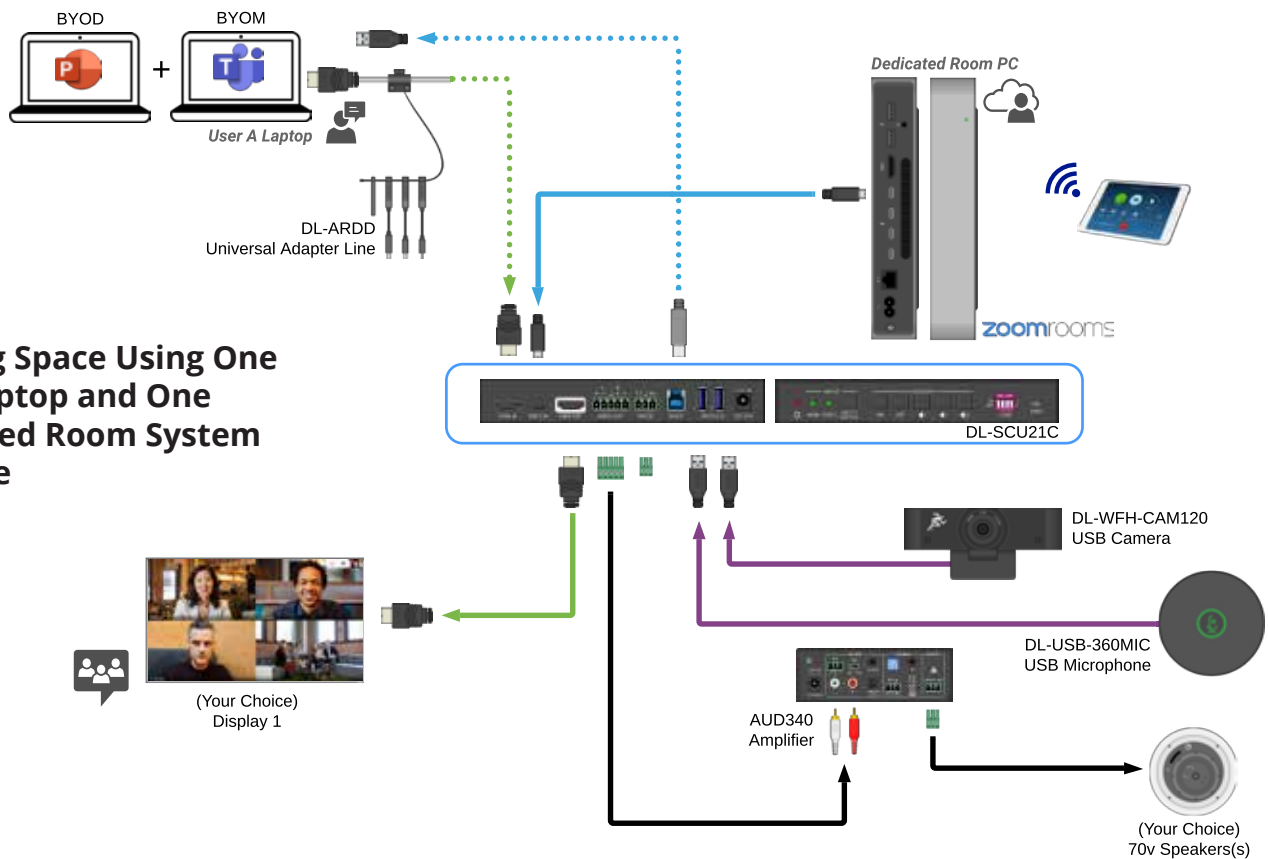
VIDEO

- 4Kx2K@60Hz 4:4:4,HDR10
- HDMI 2.0 & HDCP 2.2 compliant
- Smart auto-switching between HDMI & USB-C
- Configurable EDID management

Complete plug-and-play, no additional drivers. Compatible with most video platforms such as Zoom and Teams.

Applications

- Enables multi-format switching between BYOM devices and dedicated room systems
- Perfect for bridging presentation & video into one seamless experience
- Show content on the display, charge your device, and access the USB camera, microphone, and speaker all from a "single cable" connection



Meeting Space Using One User Laptop and One Dedicated Room System Example

Audio HDBaseT CatX USB 2.0 USB 3.0 USB-C (w/power) HDMI Control



Key Features

CONTROL

- Manual control via front panel buttons
- RS232 connection for third-party integration
- Integrate TCP/IP, CEC & RS-232 commands for display control (ON, OFF, MUTE, VOL+,VOL-)

USB

- USB-C supports ALT-DP video, data, and power, offering a complete, one-cable solution
- USB-C charging port up to 40 watts
- 3x4+1 auto-switching USB 3.0/2.0 hub w/USB charging port

AUDIO

- Balanced analog audio for audio-de-embedding
- Dolby Vision

VIDEO

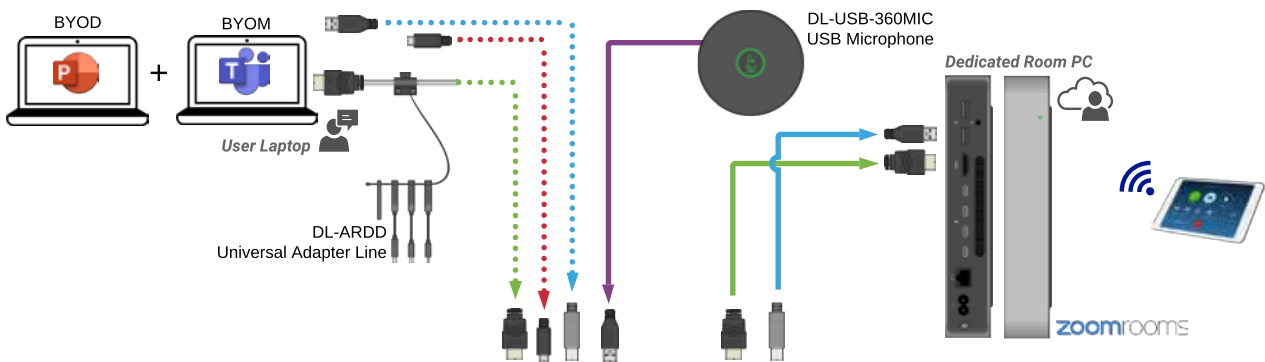
- 4Kx2K@60Hz 4:4:4,HDR10
- HDMI 2.0 & HDCP 2.2 compliant
- Smart auto-switching between (2) HDMI & USB-C
- Configurable EDID management
- Single display configuration

Ethernet pass-through at cable cubby.

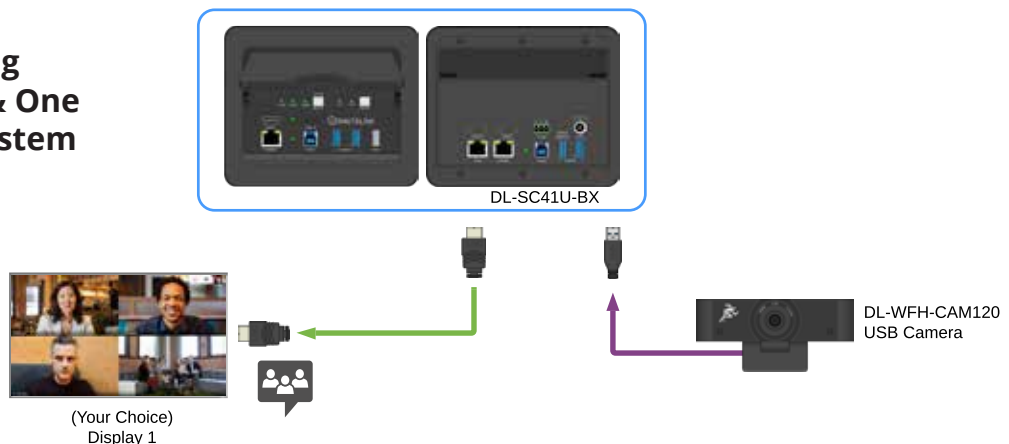
Complete plug-and-play, no additional drivers. Compatible with most video platforms such as Zoom and Teams.

Applications

- Enables multi-format switching between BYOM devices and dedicated room systems
- Perfect for bridging presentation & video into one seamless experience
- Show content on the display, charge your device, and access the USB camera, microphone, and speaker all from a single cable connection
- Combine the cable cubby enclosure with everyday technology



Meeting Space Using Two User Laptops & One Dedicated Room System Example



Audio HDBaseT CatX USB 2.0 USB 3.0 USB-C (w/power) HDMI Control

DL-SC41UP-BXTX

Multi-Format Table Box Collaboration Switcher / Extender



Key Features

CONTROL

- Manual control via front panel buttons.
- RS232 connection for third-party integration
- Integrate TCP/IP, CEC & RS-232 commands for display control (ON, OFF, MUTE, VOL+,VOL-)

USB

- USB-C supports ALT-DP video, data, and power, offering a complete, one-cable solution
- USB-C charging port up to 40 watts
- 3x4+1 auto-switching USB 3.0/2.0 hub w/USB charging port

AUDIO

- Balanced analog audio for audio-de-embedding
- Dolby Vision

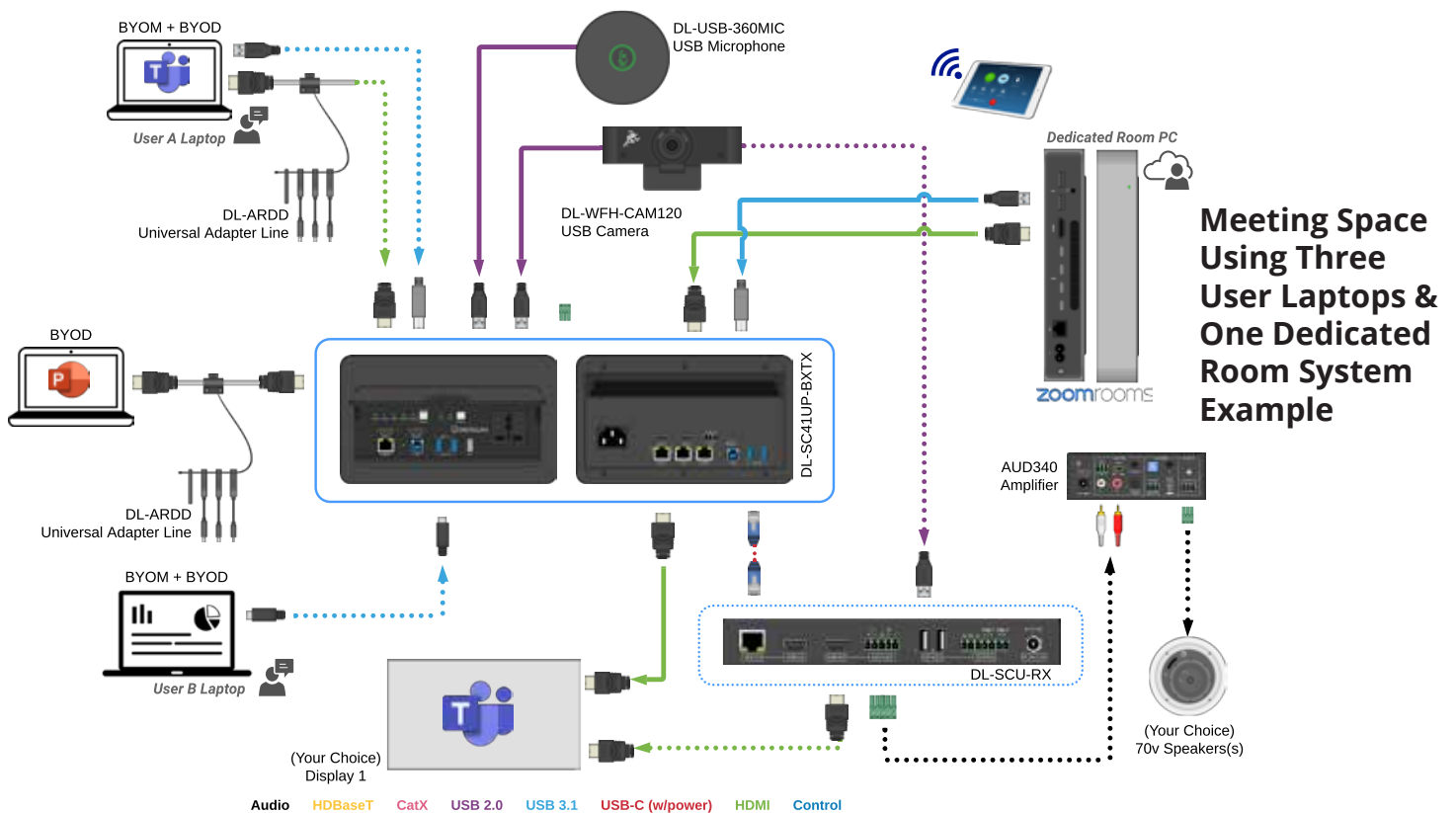
VIDEO

- 4Kx2K@60Hz 4:4:4,HDR10
- HDMI 2.0 & HDCP 2.2 compliant
- Smart auto-switching between (3) HDMI & USB-C
- Configurable EDID management
- Single display or dual mirrored configuration with HDBaseT (70m) and/or HDMI

*IEC power & Ethernet pass-through at cable cubby.
Complete plug-and-play, no additional drivers.
Compatible with most video platforms such as Zoom and Teams.*

Applications

- Enables multi-format switching between BYOM devices and dedicated room systems
- Perfect for bridging presentation & video into one seamless experience
- Show content on the display, charge your device, and access the USB camera, microphone, and speaker all from a "single cable" connection
- Combine the cable cubby enclosure with everyday technology



DL-SC41U-TX

Multi-Format Collaboration / Presentation Switcher / Extender w / HDBaseT & USB



Key Features

CONTROL

- Manual control via front panel buttons
- RS232 connection for third-party integration
- Integrate TCP/IP, CEC & RS-232 commands for display control (ON, OFF, MUTE, VOL+,VOL-)

USB

- USB-C supports ALT-DP video, data, and power, offering a complete, one-cable solution
- USB-C charging port up to 40 watts
- 3x4+1 auto-switching USB 3.0/2.0 hub w/USB charging port

AUDIO

- Dolby Atmos, Dolby TrueHD, DTS-HD Master audio

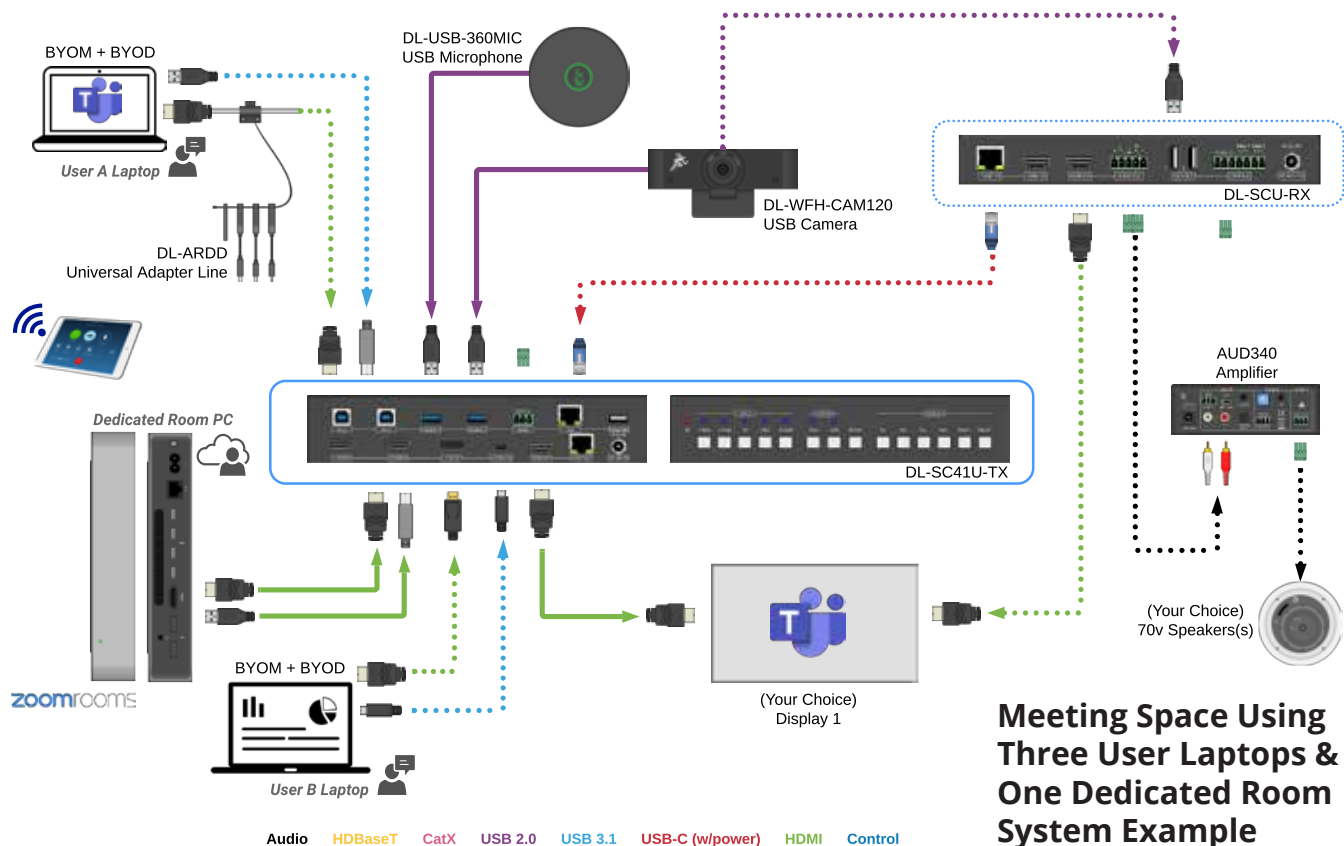
VIDEO

- 4Kx2K@60Hz 4:4:4,HDR10
- HDMI 2.0b & HDCP 2.2 compliant
- Smart auto-switching between (2) HDMI, DP & USB-C
- Configurable EDID management
- Single display or dual mirrored configuration with HDBaseT (70m) and/or HDMI

Complete plug-and-play, no additional drivers. Compatible with most video platforms such as Zoom and Teams.

Applications

- Enables multi-format switching between BYOM devices and dedicated room systems
- Perfect for bridging presentation & video into one seamless experience.
- Show content on the display, charge your device, and access the USB camera, microphone, and speaker all from a "single cable" connection



Meeting Space Using Three User Laptops & One Dedicated Room System Example



Key Features

CONTROL

- Adds (1) RS232 connection and (2) Relay connections

USB

- Adds (2) USB-A 2.0 ports via the built-in USB hub

AUDIO

- Balanced analog audio for audio-de-embedding

VIDEO

- Adds (1) HDMI input and (1) HDMI output

OTHER

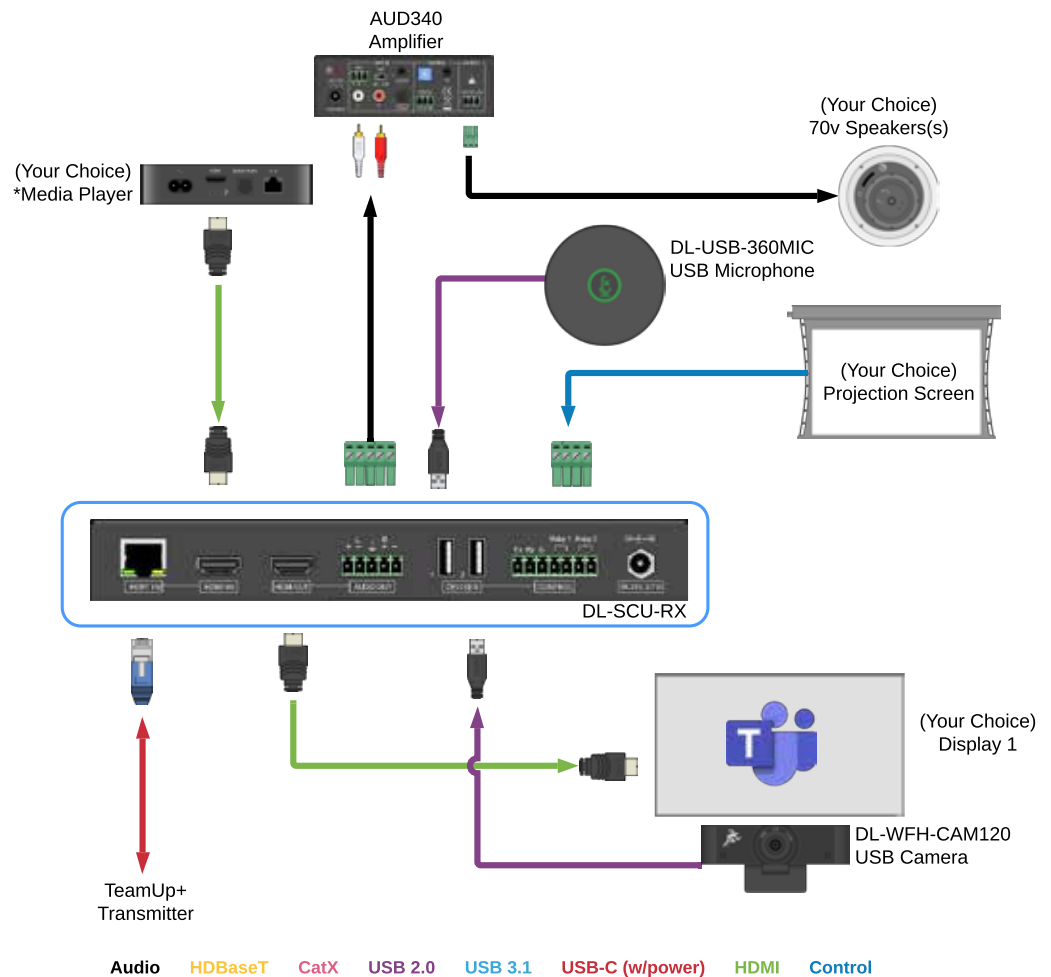
- Receiver to extend TeamUp+ transmitters
Includes PoH providing power to the transmitter

*Complete plug-and-play, no additional drivers.
Compatible with most video platforms such as Zoom and Teams.*

Applications

- Expand our TeamUp+ series switchers with this receiver
- Perfect for non-wall abutted furniture environments

Signal Extension & Connectivity Expansion on our DL-SC41U-TX and DL-SC41UP-BXTX Example





Key Features

CONTROL

- Event-driven architecture where actions are executed in real time
- Digital I/O, contact closures & IP

USB

- USB-C supports ALT-DP video, data, and power, offering a complete, one-cable solution
- USB-C charging port up to 60 watts
- 3x4 auto-switching USB 3.0/2.0 hub

AUDIO

- Balanced analog audio for audio-de-embedding
- Dolby Vision

VIDEO

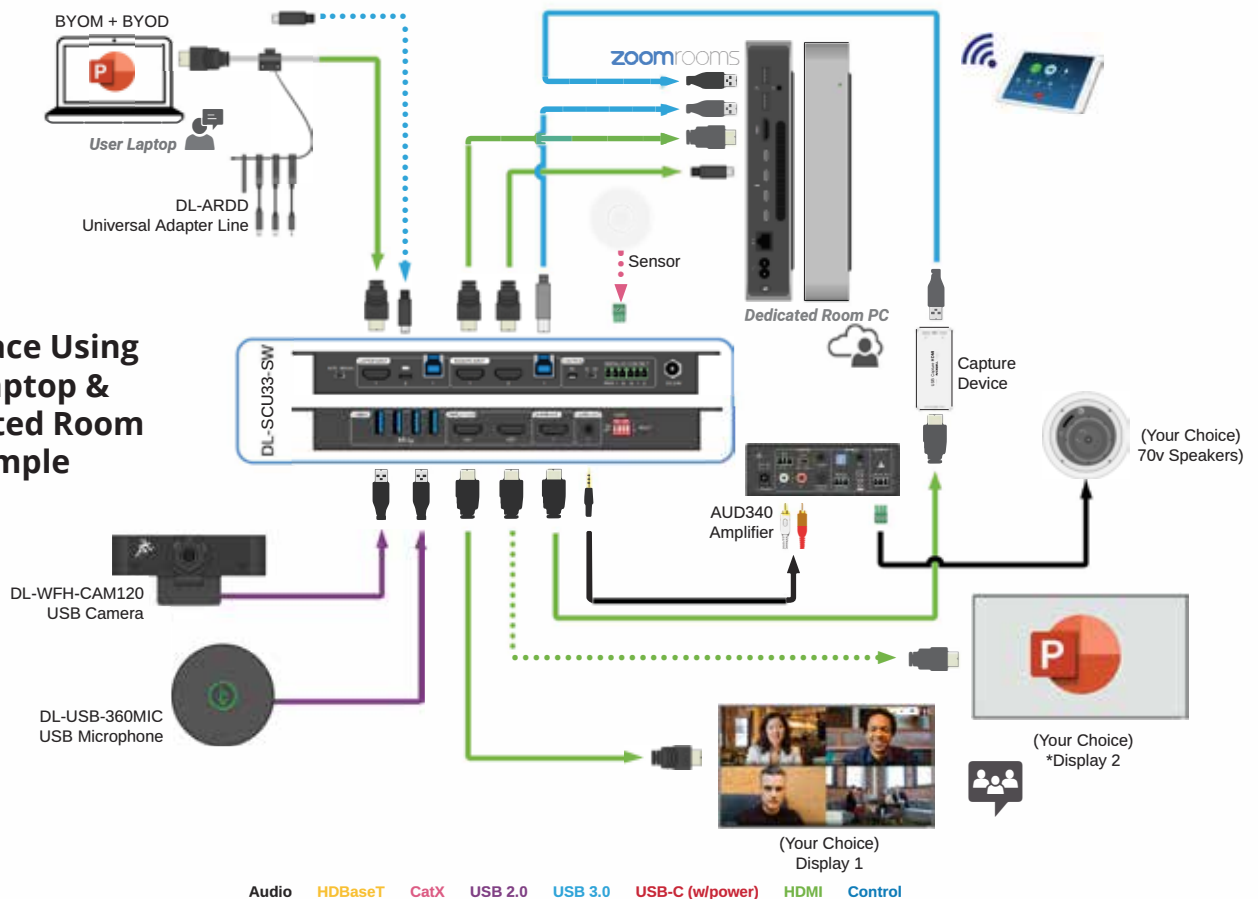
- 4Kx2K@60Hz 4:4:4,HDR10
- HDMI 2.0 & HDCP 2.2 compliant
- Smart auto-switching between HDMI & USB-C
- Intended for dual screen room systems

Complete plug-and-play, no additional drivers. Compatible with most video platforms such as Zoom and Teams.

Applications

- Enables multi-format switching between BYOM devices and dedicated room systems
- Perfect for bridging presentation & video into one seamless experience
- Show content on the display, charge your device, and access the USB camera, microphone, and speaker all from a single cable connection
- Dual screen capability available even in BYOM mode

Meeting Space Using One User Laptop & One Dedicated Room System Example



USB ACCESSORIES

Instantly transform any space at home or in the office into a meeting.

USB Webcams (DL-WFH-CAM)



THE BEST VIEW

HD Video Camera 1920x1080p30 (MJPG)
Two FOV Options: 90° (CAM90) or 120° (CAM120)

LED INDICATOR

Indicates when the camera is running

DUAL, NOISE-CANCELING, MICROPHONE ARRAYS

2D, 3D digital noise reduction

TRIPOD READY + UNIVERSAL CLIP

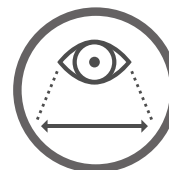
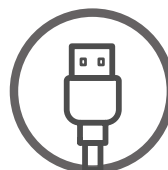
Attachment bracket allows flexible mounting
locations 1/4" thread for securing camera
screw to mount or tripod

OPTIONAL PRIVACY COVER

To cover the lens when camera is not in use

PLUG-AND-PLAY

No drivers or video card required.
Truly seamless



USB Microphone (DL-USB-360MIC)



HI-FI AUDIO TRANSMISSION

360-degree, omnidirectional can pick up the slightest of sounds from all sides.
Up to 6-meter pick-up pattern.

CONTEMPORARY STYLE

Sleek design will complement any setting. Simple woven mesh grille, durable body, and user-friendly button makes this the perfect unobtrusive accessory.

STAYS IN PLACE

Anti-slip pad on the bottom prevents moving and shifting.

BUILT-IN MUTE BUTTON + LED INDICATOR

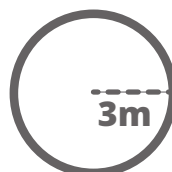
Quickly mute & unmute with a simple press.
Green light = working mode
Red light = muted

PROVIDED CONNECTIVITY

A 5m-long micro USB cable, providing enough length for any placement.
1x micro-USB port and 1x 3.5 mm jack

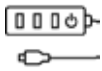
PLUG-AND-PLAY

No drivers, sound card, or phantom power supply required. Truly seamless



COMING SOON Q1 2021

TeamUp+ Series Roadmap



USB 3.0 POWERED HUB

Turn one of the computer's USB ports into 4 for charging and data distribution



MULTI-PORT MEDIA USB 3.0 HUB

8 in 1 USB-C hub offering HDMI port, Gigabit ethernet port, PD charging port, 3 USB ports and SD/TF card reader



CAMERA TRIPOD

Flexible legs, offering adjustability for perfect camera positioning



USB 2.0 SPEAKERPHONE

360-degree microphone with speaker + built-in USB 2.0 hub



HDMI TO USB 3.0 CAPTURE DEVICE

4K, HDMI loop out, audio extraction, USB conversion and microphone input



SDI TO USB 3.0 CAPTURE DEVICE

Broadcast-grade, SDI loop out with USB conversion



x2

USB 2.0 10X PTZ CAMERA | USB 3.0 MULTI-PORT 20X

USB 2.0 can be powered over USB, fully compatible with Zoom Room controller



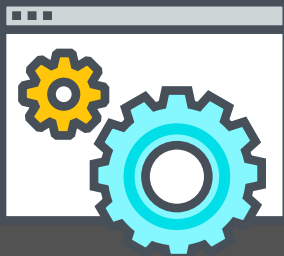
PURPOSE-BUILT USB 3.0 PD+ CABLES

Delivers full 3.0 bandwidth + full 4.5 watts to power remote client devices, especially today's power-hungry cameras.



VIDEO CONFERENCING LIGHT

Improve the lighting for work-from-anywhere environments - video conferencing & live streaming.



SERVICE AND
TECHNICAL SUPPORT

THE LIBERTY
EDGE

LIBERTY EDGE
WARRANTY



WORLD-CLASS
TRAINING



LIBERTY
AV SOLUTIONS

800.530.8998 www.LibAV.com