

Technical Specification

Category 6_A RJ45 Keystone Compliant Coupler

Rev. 171117

Liberty's CP8DZ00A Keystone compliant Category 6_A shielded coupler is an excellent alternative to a compliant punch down jack. In-line couplers do add an extra loss point to the link but their speed and efficiency for patching often outweighs the requirement as dictated by the ANSI standard. This unit is an in-line coupler format, jack to jack. It can be used for any shielded RJ45 need, Category 5E up to 10G Category 6A. This fits any keystone compliant port on a plate or panel. This unit features a 750 mating minimum lifecycle and 50μ inch gold plating on the contacts.

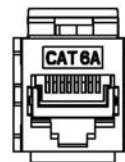
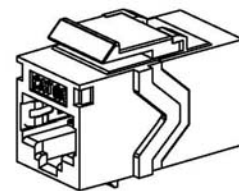
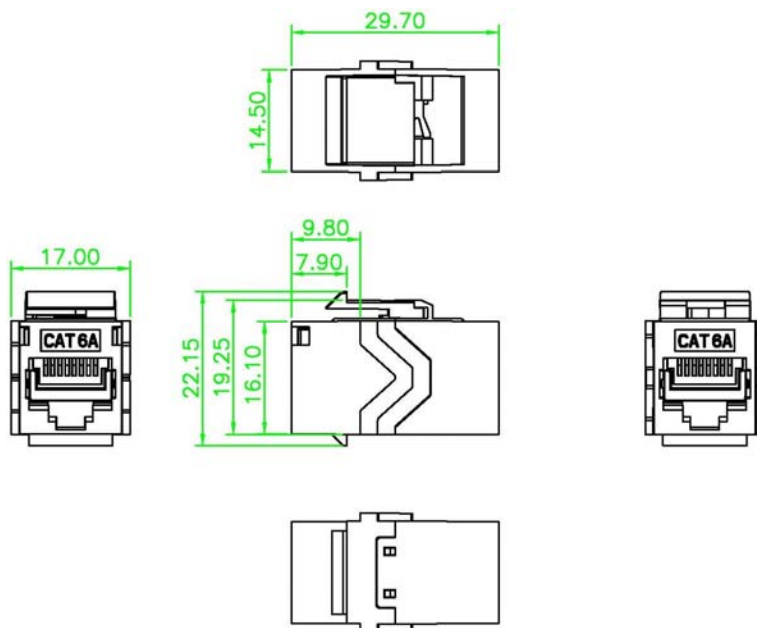
Key Features:

- Shielded
- ANSI/TIA-568-C.2.1 Category 6_A
- Coupler format
- Can be used for in-line applications



Key Applications:

- 10/100/1000/10GBaseT Ethernet
- Digital Multimedia patching
- Convenience Outlets
- VoIP, POTS Telecommunications
- Industrial Control patching



Technical Specifications	
I/O Connections	
Networking	Female 8P8C RJ45, Shielded
Infrastructure	Coupler, Jack to Jack
Electrical Specifications	
Insulation Resistance	≥ 500MΩ
Dielectric Withstanding Voltage	100VAC RMS 60Hz
Contact Resistance	≤ 20mΩ
Current Rating	1.5A @ 68°F (20°C)
Mechanical Specification	
Plug Insertion Life	≥ 750 Mating Cycles
Contact Force	99.2g (3.5 oz) FCC Plug
Plug Retention Force	30 Lb (133n/13.3Kg)
Temperature Test	-40°F to 150°F (-40°C to 66°C)
Physical Specification	
Body Material	Polycarbonate and ABS, UL94V0
Shielding	Nickel Plated Zinc
Contact and Plating	Phosphor Bronze with 50μ" Gold Plating over contact area
Environmental Requirements	
Operating Temperature	0° to +75° C (+32° to +167° F)
Operating Humidity	20% to 85%, Non-condensing
Storage Temperature	-20° to +80° C (0° to +176° F)
Power and Regulatory	
Regulatory	FCC Part 68
Performance	ANSI/TIA-568-C.2 Category 6A

Liberty Wire & Cable specifications are subject to change without notice. Contact an account representative for current product specifications. Liberty Wire & Cable continuously strives to ensure product specifications are accurate and complete. All physical specifications are nominal.

Part Matrix	
Item Number	Description
CP8DZ00A	Category 6A RJ45 Shielded Coupler, Jack to Jack Keystone Format
EHT010	Crimp & Cut Tool for 180° Category 6A Keystone Jacks (Optional, not required)

National Electric Code® is a registered trademark of the National Fire Protection Agency (NFPA)

NEC® is a registered trademark of the National Fire Protection Agency (NFPA)