

1A68TP0A0 Technical Specification

Category 6A 180 Degree UTP Keystone Jack

Rev. 171117

Liberty's 1A68TP0A0 Keystone compliant Category 6A jack is a fully compliant component of any data networking link. The unit is a 180 degree format, the cable exits straight out the back of the unit. This fits any keystone compliant port on a plate or panel. This unit features a 750 mating minimum lifecycle and 50µ inch gold plating on the contacts.

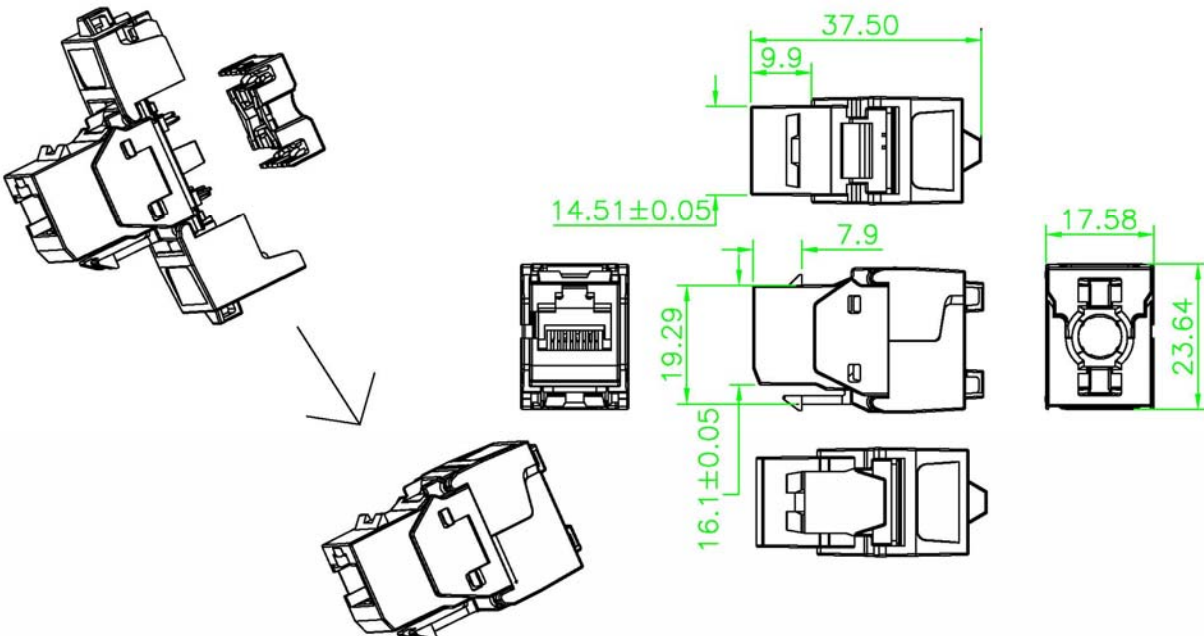
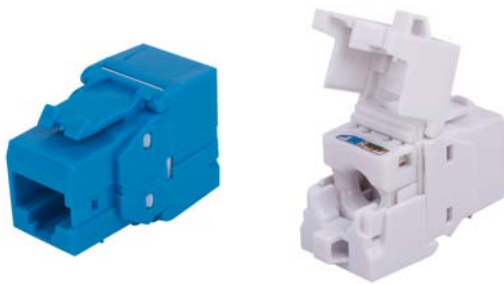
The 1A68TP0A0 features Krone/Universal 110 block IDC contacts and a loading insert that does not require any special tooling to terminate. An optional tool Liberty offers is a special cut and crimp tool, part number EHT010, that seats and cuts the conductors simultaneously.

Key Features:

- ANSI/TIA-568-C.2.1 Category 6A
- Krone/110 Universal IDC
- Quick Crimp/Cut Tool option
- 180 Degree Format

Key Applications:

- 10/100/1000/10GBaseT Ethernet
- Digital Multimedia patching
- Convenience Outlets
- VoIP, POTS Telecommunications
- Industrial Control patching



Technical Specifications	
I/O Connections	
Networking	Female 8P8C RJ45, Unshielded
Infrastructure	Dual 110/Krone IDC punch down block
Electrical Specifications	
Insulation Resistance	≥ 500MΩ
Dielectric Withstanding Voltage	100VAC RMS 60Hz
Contact Resistance	≤ 20mΩ
Current Rating	1.5A @ 68°F (20°C)
Mechanical Specification	
Plug Insertion Life	≥ 750 Mating Cycles
Contact Force	99.2g (3.5 oz) FCC Plug
Plug Retention Force	30 Lb (133n/13.3Kg)
Temperature Test	-40°F to 150°F (-40°C to 66°C)
Physical Specification	
Body Material	Polycarbonate and ABS, UL94V0
Contact and Plating	Phosphor Bronze with 50μ" Gold Plating over contact area
Environmental Requirements	
Operating Temperature	0° to +75° C (+32° to +167° F)
Operating Humidity	20% to 85%, Non-condensing
Storage Temperature	-20° to +80° C (0° to +176° F)
Power and Regulatory	
Regulatory	FCC Part 68
Performance	ANSI/TIA-568-C.2 Category 6A

Liberty Wire & Cable specifications are subject to change without notice. Contact an account representative for current product specifications. Liberty Wire & Cable continuously strives to ensure product specifications are accurate and complete. All physical specifications are nominal.

Part Matrix	
Item Number	Description
1A68TP0A0-BL	Category 6A RJ45 Jack, Keystone Format 180° Blue Body
1A68TP0A0-WH	Category 6A RJ45 Jack, Keystone Format 180° White Body
EHT010	Crimp & Cut Tool for 180° Category 6A Keystone Jacks (Optional, not required)

National Electric Code® is a registered trademark of the National Fire Protection Agency (NFPA)
 NEC® is a registered trademark of the National Fire Protection Agency (NFPA)