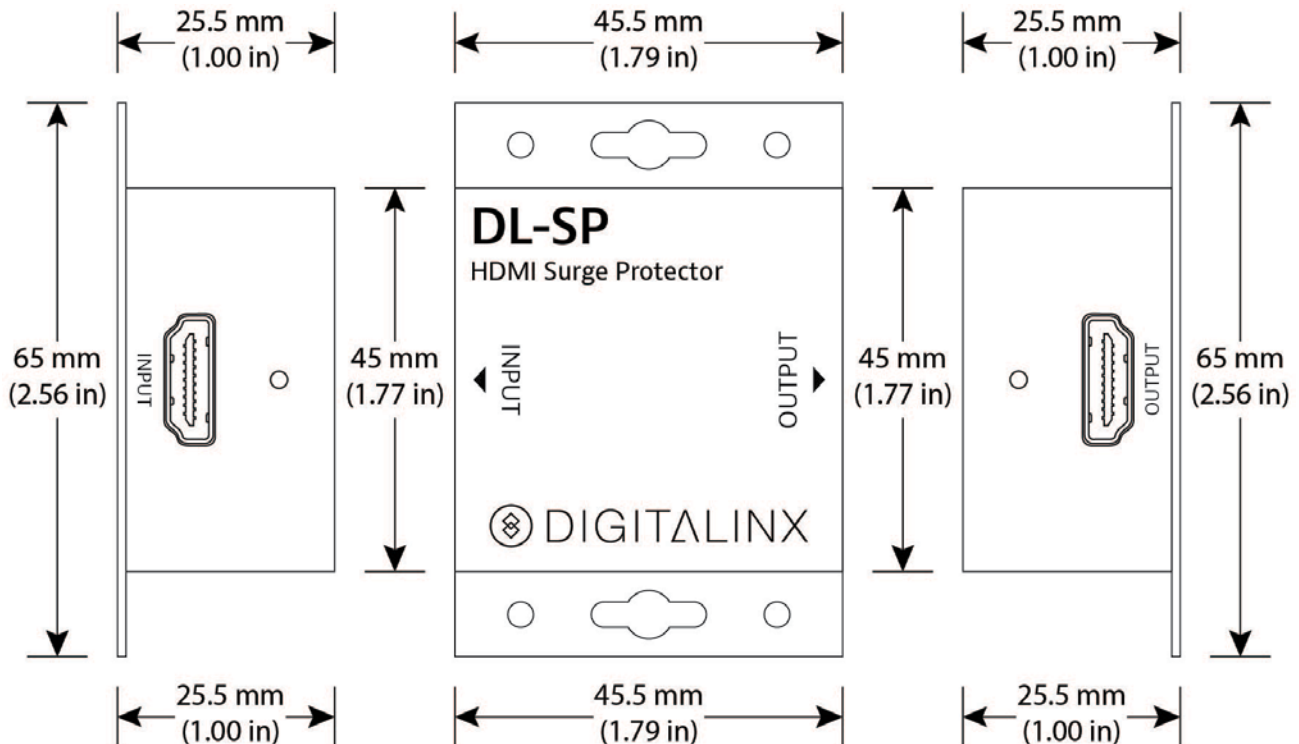


DL-SP Technical Specifications

HDMI Surge Protector
 Rev 151202

The DigitalLinx DL-SP is an HDMI Surge Protector. The DL-SP is an ideal solution designed to protect HDMI devices against electro-static discharge, surges & spikes from mains, or lightning strikes that cause electrical transients up to 15000 Volts (air) and 8000 Volts (contact).

The DL-SP offers 3D, HEC and ARC passthrough from compatible source to sink devices. The DL-SP is active on all HDMI TMDS channels offering lossless signal transmission while performing as the best line of defense against ESD and lightning surge. DL-SP provides hassle-free install with integrated mounting brackets and passive design without requiring a power supply.



Technical Specifications

Input Connections	
Video Input	One (1) HDMI
Input Connector	19-pin Type A female HDMI
HDMI Standard	HDMI 1.4 with 3D and HDCP compliant
Input Video Signal	0.5~1.2 V p-p
Output Connections	
Outputs	One (1) HDMI
Output Connector	19-pin Type A female HDMI
Video Performance	
Video Resolution	VESA: 640x480, 800x600, 1024x768, 1280x1024, 1600x1200, 1920x1080, 1920x1200 HDTV: 480i, 576i, 480p, 576p, 720p, 1080i, 1080p
Transmission Distance	15m/ 49ft max
Supported HDMI Features	HDMI Ethernet Channel (HEC), Audio Return Channel (ARC) passthrough
Chassis and Environmental	
Enclosure Dimensions (W x H x D)	65 mm x 46 mm x 25 mm (2.6 in x 1.8 in x 1.0 in)
Shipping Weight	(80g) 0.17lbs
Operating Temperature	0°C to + 45°C (+32° to + 113° F)
Operating Humidity	10% to 90%, Non-condensing
Storage Temperature	-20°C to + 70°C (-4° to + 140° F)
Storage Humidity	10% to 90%, Non-condensing
Power and Regulatory	
IEC Specifications	IEC 61000-1-2/ 4-2 (ESD) ±15kV (15000 Volts) (Air), ±8kV (8000 Volts) (Contact)
Maximum Spike Protection	±8kV (8000 Volts)
ESD Protection	±15 kV (Air-gap discharge), ±8 kV (Contact discharge)
Other	
Warranty	2 years
Included Accessories	(1) Ground Wire and Installation Guide
Included Accessories	(1) Power Supply, Installation Guide, (2) Mounting Ears, (2) Screws and (4) Plastic