

DIGI-PMK1 Technical Specification

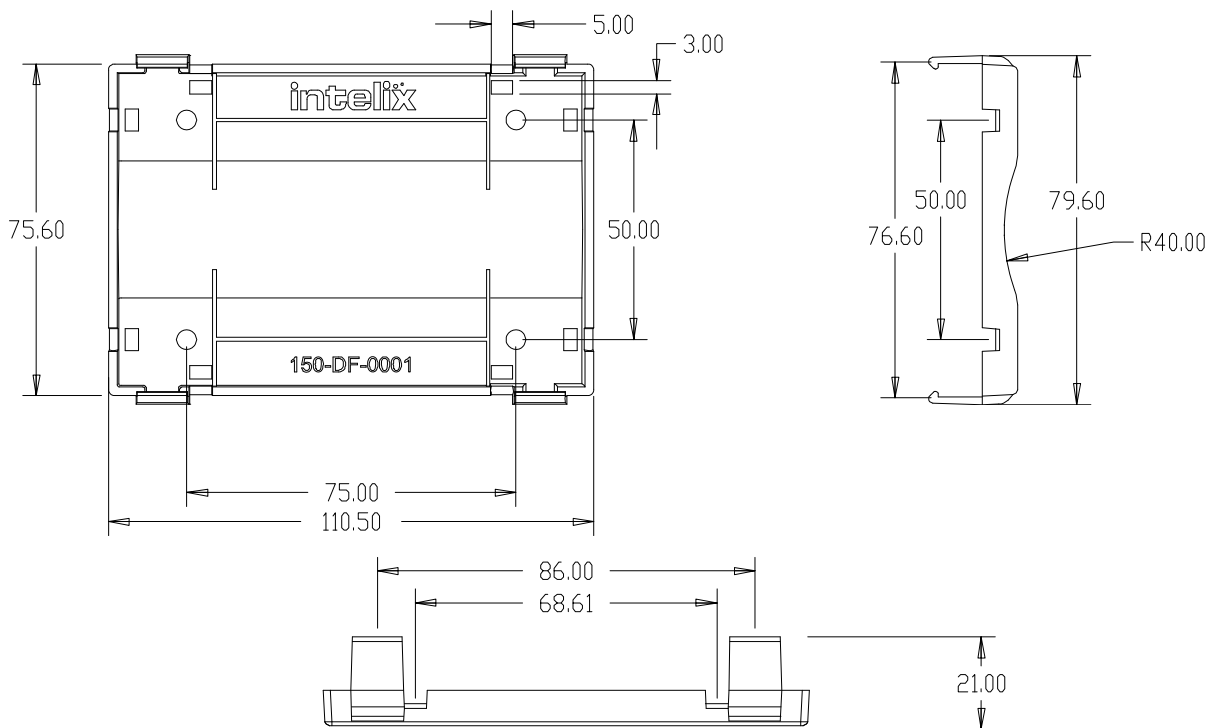
Universal Mounting Kit for Intelix 110x75 chassis devices

Rev. 130106

The Intelix DIGI-PMK1 is a universal mounting kit for a number of Intelix devices. It fits any Intelix device designed with the 110mmx75mm footprint.

The DIGI-PMK1 has been designed for pole, rack-rail, wall, and VESA75 mounting. It has multiple patterns for holes and slots designed to permit for flexibility in mounting. The DIGI-PMK1 features four capture tabs for quick device insertion and release in most mounting methods.

For the most updated list of compatible devices and mounting methods, please visit the product page on our website at www.intelix.com.



Technical Specifications

Chassis	
Material	ABS Plastic – Gloss Black
Dimensions (without device)	110.5mm x 75.6mm x 21mm (4-5/16" x 3-1/8" x 7/8")
Dimensions (with device)	110.5mm x 75.6mm x 32mm (4-5/16" x 3-1/8" x 1-1/4")
Shipping Weight	1lbs. (0.45kg) (Box of [10] DIGI-PMK1)
Other	
Compatible Devices	AVO-VGA, AVO-VGA-S, AVO-VGA-R, DIGI-HD70-S, DIGI-HD70-R, DIGI-HD-IR3-S, DIGI-HD-IR3-R, VGA-HD
Warranty	2 years
What's in the Box	(1) DIGI-PMK1 (hardware not included)